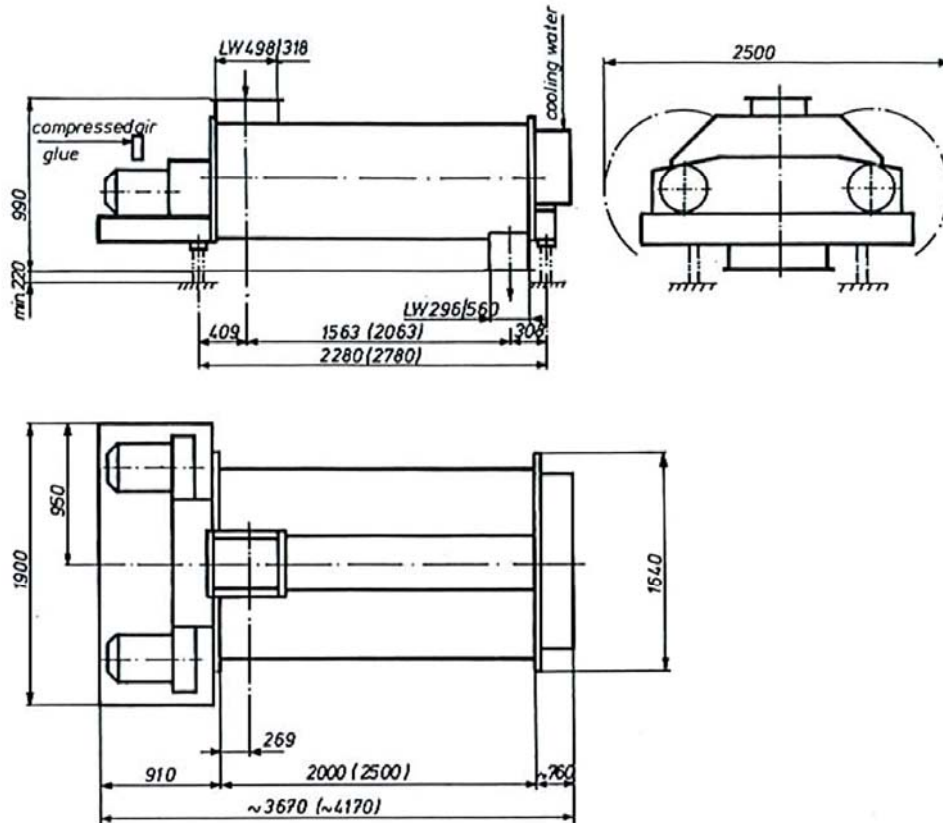


M 500/2000
M 500/2500 (-)



Technical Data

| Type | Capacity DB/hour at a bulk weight of approx. 130 kg/m ³ | Dimension sheet | Power installed | Consumption of cooling water at 8°C | Air consumption at 3 bar m ³ (standard) | R.P.M. main shafts | Drive of trough doors | Weight incl. main motors |
|------------|--|-----------------|--------------------------|-------------------------------------|---|-----------------------|-----------------------|--------------------------|
| M 400/1750 | 1500 - 3200 kg | 3-040-7-14617 | 2 x 11 kW 2 x 15 kW | 2 m ³ /h | 4,5 Nm ³ /h | 900 min ⁻¹ | 2 x 0,37 kW | approx.1720 kg |
| M 400/2000 | 2000 - 4000 kg | 3-040-7-14984 | 2 x 15 kW 2 x 18,5 kW | 3 m ³ /h | 6 Nm ³ /h | 900 min ⁻¹ | 2 x 0,37 kW | approx.1900 kg |
| M 500/2000 | 2500 - 7000 kg | 3-040-7-14613 | 2 x 18,5 kW 2 x 22 kW | 4 m ³ /h | 8 Nm ³ /h | 800 min ⁻¹ | 2 x 0,37 kW | approx.3100 kg |
| M 500/2500 | 3500 - 9000 kg | 3-040-7-14612 | 2 x 22 kW 2 x 30 kW | 6 m ³ /h | 11 Nm ³ /h | 800 min ⁻¹ | 2 x 0,37 kW | approx.3500 kg |
| M 650/2500 | 5000 - 12800 kg | 3-040-7-14608 | 2 x 30 kW 2 x 37 kW | 9 m ³ /h | 15 Nm ³ /h | 650 min ⁻¹ | 2 x 0,55 kW | approx.4120 kg |
| M 650/3000 | 7000 - 17000 kg | 3-040-7-14611 | 2 x 37 kW 2 x 45 kW | 12 m ³ /h | 20 Nm ³ /h | 650 min ⁻¹ | 2 x 0,55 kW | approx.4500 kg |
| M 820/3000 | 10000 - 24000 kg | 3-040-7-14560 | 2 x 45 kW 2 x 55 kW | 15 m ³ /h | 28 Nm ³ /h | 520 min ⁻¹ | 2 x 0,55 kW | approx.6000 kg |
| M 820/3600 | 14000 - 32000 kg | 3-040-7-14563 | 2 x 75 kW | 20 m ³ /h | 45 Nm ³ /h | 520 min ⁻¹ | 2 x 0,55 kW | approx.6800 kg |

Remarks: Temperature increase of the cooling water $\Delta t = 4^\circ$ to 5° C depending on machine load